

CADET™ 6' X 36'' WHIRLPOOL & BATHING POOL

2773.018W Whirlpool featuring System I

- Acrylic with fiberglass reinforcement
- Pre-leveled tub bottom
- Form-fitted backrest position
- Dual, molded in arm rests
- 2.0 HP single speed, self-draining pump/motor
- Factory installed power cord with plug
- Eight multi-directional and flow-adjustable jets including:
 - Two Ideal-flow jets
 - Four body massage jets
 - Two recessed back-rest jets
- Deck-mounted air switch On/Off
- Two silent air volume controls
- Quick Connect Safe-T-Heater connection system
- Factory installed and tested whirlpool system

2773.018WC Stay Clean™ Whirlpool Massage Featuring System I:

- Same as 2773.018W except with the StayClean™ whirlpool system featuring Antimicrobial AlphaSan®

2773.002 Bathing Pool only

Nominal Dimensions: 1829 x 908 x 502mm
(72" x 35-3/4" x 19-3/4")

Compliance Certifications -

Meets or Exceeds the Following Specifications:

- Underwriters Laboratories - Hydromassage Bathtubs UL 1795
- ASME A112.19.7M for Whirlpool Appliances
- ANSI Z124.1 for Plastic Bathtubs
- ASTM E162 for Flammability
- NFPA 258 for Smoke Density



To Be Specified - Required:

- Color:
- Bath Filler: (specify finish)
- Bath Drain: 1583.470 (specify finish)

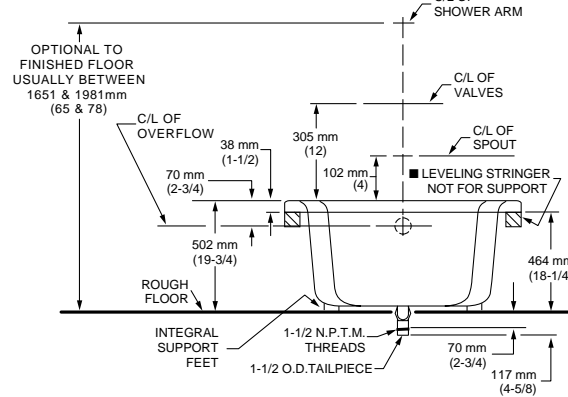
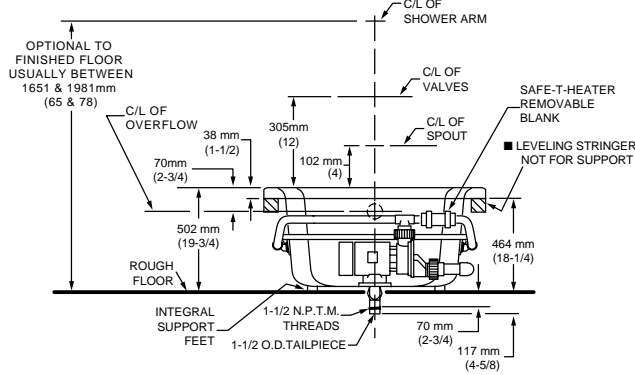
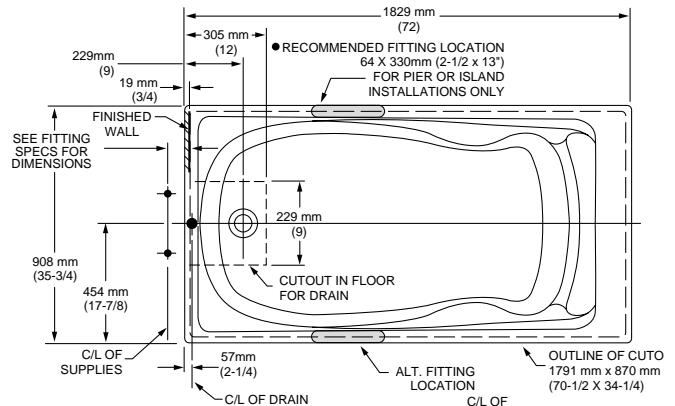
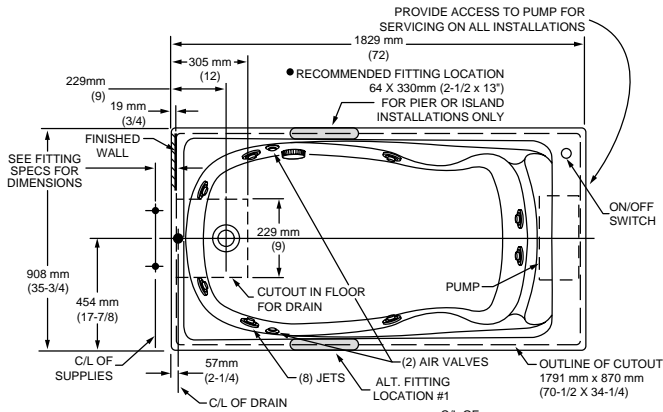
To Be Specified - Optional:

- Safe-T-Heater*: 9075.120
- 6 Foot Acrylic Apron: 9372.018 (specify color)
- 6 Foot Apron: 9272.018 (specify color)
- Jet Trim Ring Kit: 9860.200-two per kit (Specify finish)
- Universal Tile Bead Kit: 751755-100
- Grab Bar Kit: 9822.200-two per kit (specify finish)

NOTE: Roughing-in dimensions and product specifications shown on reverse side of page.

For color/finish availability and other faucet choices, please see the Product Selector and Pricing Guide.

* **NOTE:** the Safe-T-Heater is designed to maintain water temperature during operation. It will not heat cold water to desired bathing temperature.



GENERAL SPECIFICATIONS FOR 2773 WHIRLPOOL

INSTALLED SIZE 72 x 35-3/4 x 19-3/4 In. (1829 x 908 x 502mm)
 WEIGHT 101 Lbs. (45 Kg.)
 WEIGHT w/WATER 751 Lbs. (341 Kg)
 GAL. TO OVERFLOW 78 Gal. (296 L.)
 MIN. OPERATING GAL. 64 Gal. (243 L.)
 BATHING WELL AT SUMP 23 x 49 In. (584 mm x 1245 mm)
 BATHING WELL AT RIM 65 x 29 In. (1651 x 737 mm)
 WATER DEPTH TO OVERFLOW 13-1/2 In. (343 mm)
 FLOOR LOADING 40 Lbs./Sq. Ft. (190 Kgs/Sq. m.)
 (PROJECTED AREA)
 PTS. 23.8
 CUBE (FT³) 48.3

WHIRLPOOL ELECTRICAL SPECIFICATIONS

SYSTEM I PUMP 2.1 HP, 14.4 AMPS, 120V.

GENERAL SPECIFICATIONS FOR 2773 BATHING POOL

INSTALLED SIZE 72 x 35-3/4 x 19-3/4 In. (1829mm x 908 mm x 502mm)
 WEIGHT 76 Lbs. (34 Kg.)
 WEIGHT w/WATER 725 Lbs. (326 Kg.)
 GAL. TO OVERFLOW 78 Gal. (296 L.)
 BATHING WELL AT SUMP 23 x 49 In. (584 mm x 1245 mm)
 BATHING WELL AT RIM 65 x 29 In. (1651 x 737 mm)
 WATER DEPTH TO OVERFLOW 13-1/2 In. (343 mm)
 FLOOR LOADING 38 Lbs./Sq. Ft. (183 Kgs/Sq. m.)
 (PROJECTED AREA)
 PTS. 23.8
 CUBE (FT³) 48.3

NOTES:

BATH CAN BE INSTALLED EITHER ABOVE OR BELOW FLOOR LINE AS PIER, ISLAND, OR PENINSULA TYPE INSTALLATION. SUMP OF BATH IS SUPPORTED BY INTEGRAL FEET. NO ADDITIONAL SUPPORT REQUIRED. ENCLOSING MATERIAL BY OTHERS.

REFER TO INSTALLATION INSTRUCTIONS SUPPLIED WITH WHIRLPOOL FOR ADDITIONAL INFORMATION.

OPTIONAL 3 WALL TILING BEAD. KIT AND APRON No. 9272.018 or 9372.018 AVAILABLE AND MUST BE ORDERED SEPARATELY.

FITTINGS NOT INCLUDED AND MUST BE ORDERED SEPARATELY.

PROVIDE SUITABLE REINFORCEMENT FOR ALL SUPPORTS.

IMPORTANT:

Dimensions of fixtures are nominal and may vary within the range of tolerances established by ANSI Standard Z124.1

These measurements are subject to change or cancellation. No responsibility is assumed for use of superseded or voided leaflet.